

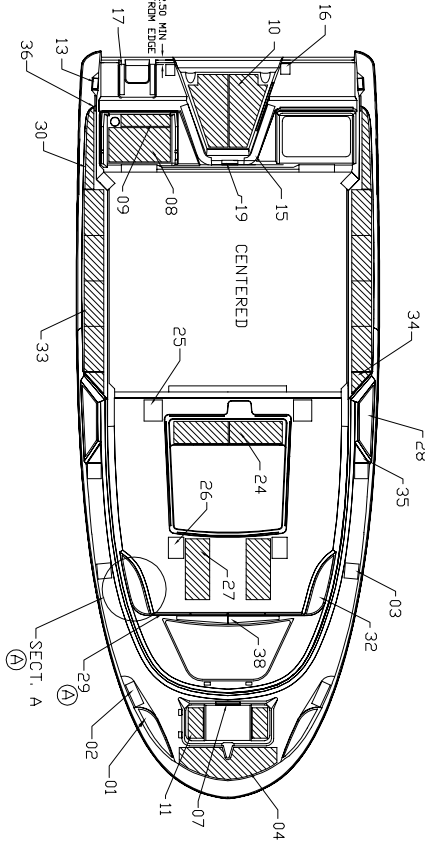
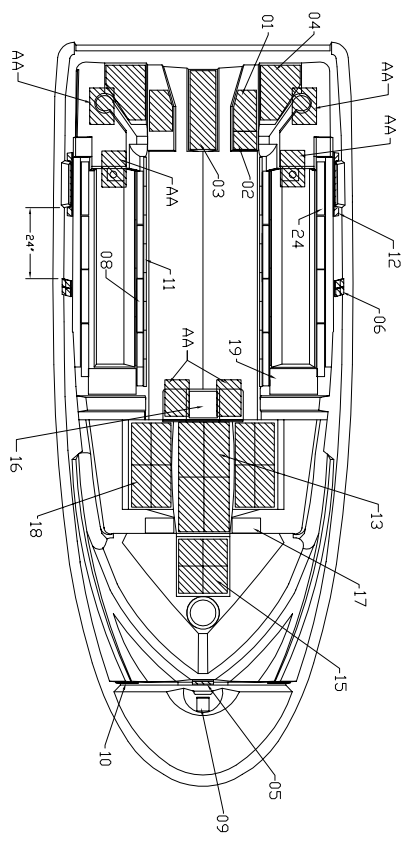
☐ PHENOLIC
 ▨ PLYWOOD

LEGEND

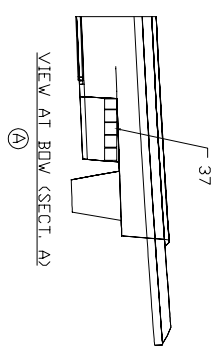
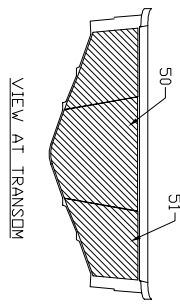
- INNERLINER
 01) 1/2" PLYWOOD (2) PER PATTERN
 02) 1/2" PLYWOOD (1) 6" X 7 1/2"
 03) 1/2" PLYWOOD (1) 8 1/2" X 26"
 04) 1/2" PLYWOOD (2) PER PATTERN
 05) 1/2" PLYWOOD (1) 5" X 7"
 06) 1/2" PLYWOOD (8) 2 1/2" X 10"
 08) 3/8" PHENOLIC (8) 2" X 17 1/2"
 09) 3/8" PHENOLIC (1) 4" X 6"
 10) 3/8" PHENOLIC (2) 2" X 8"
 11) 3/8" PHENOLIC (6) 4" X 9 1/2"
 12) 1/2" PLYWOOD (2) PER PATTERN
 13) 1/2" PLYWOOD (4) 8" X 18"
 15) 1/2" PLYWOOD (4) 6 3/4" X 8"
 16) 3/8" PHENOLIC (20) 5" X 10"
 17) 3/8" PHENOLIC (8) 5 1/2" X 7 1/2"
 18) 1/2" PLYWOOD (8) 7" X 16"
 19) 3/8" PHENOLIC (8) 3" X 17 1/2"
 24) 3/8" PHENOLIC (2) PER PATTERN

- DECK
 01) 3/8" PHENOLIC (2) PER PATTERN
 02) 3/8" PHENOLIC (2) 3" X 8"
 03) 3/8" PHENOLIC (4) 4 1/2" X 5"
 04) 3/4" PLYWOOD (1) PER PATTERN
 07) 3/8" PHENOLIC (1) 3 1/2" X 10"
 08) 1/2" PLYWOOD (1) 12" X 20"
 09) 1/2" PLYWOOD (2) PER PATTERN
 10) 1/2" PLYWOOD (2) PER PATTERN
 11) 3/8" PHENOLIC (2) 3 1/2" X 11"
 12) 1/4" PHENOLIC (2) 1 1/2" X 6"
 13) 3/8" PHENOLIC (2) PER PATTERN
 17) 3/8" PHENOLIC (2) 1 3/4" X 10"
 19) 3/8" PHENOLIC (1) 6" X 15"
 24) 1/2" PLYWOOD (2) 7" X 17 1/2"
 25) 1/2" PHENOLIC (2) 6" X 7"
 26) 1/2" PHENOLIC (2) 5" X 7"
 27) 1/2" PLYWOOD (2) 8" X 20"
 28) 1/2" PHENOLIC (2) PER PATTERN
 29) 3/8" PHENOLIC (4) 4" X 12"
 30) 1/2" PLYWOOD (2) PER PATTERN
 32) 3/8" PHENOLIC (2) PER PATTERN
 33) 1/2" PLYWOOD (8) 6 1/2" X 15"
 34) 1/2" PLYWOOD (1) 6 1/2" X 15"
 35) 1/2" PHENOLIC (2) PER PATTERN
 36) 3/8" PHENOLIC (2) PER PATTERN
 37) 3/8" PHENOLIC (10) 4" X 4"
 38) 3/8" PHENOLIC (2) PER PATTERN

- TRANSOM
 50) 1 3/4" PLYWOOD (1) PER PATTERN
 51) 1 3/4" PLYWOOD (2) PER PATTERN
 PUTTY BOXES
 AA) 1/2" PLYWOOD (6) 8" X 12" (FILLED WITH PUTTY)



NOTE: PLYWOOD OR PHENOLIC IS LOCATED ONLY IN AREA'S SHOWN ON INNERLINER.
 NOTE: PLYWOOD OR PHENOLIC IS LOCATED ONLY IN AREA'S SHOWN ON DECK.
 Balsa may be in other AREA'S OF DECK



CODE	DESCRIPTION	DATE	BY	APPD
A	REF. ECN #9150 2000 MODEL YEAR ENHANCEMENTS	7 30 99	TAC	SW
B	REF. ECN 9181 ADD ITEM'S 36 AND 38	8 26 99	JS	

SCALE	1:40	DRAWN	T. CURTIS
DATE	11/09/98	CHKD.	
DESIGN		MFG.	
ENGINEERING DEPARTMENT			
TITLE WOOD LOCATION, 21' OR - '99			